

FIG.1

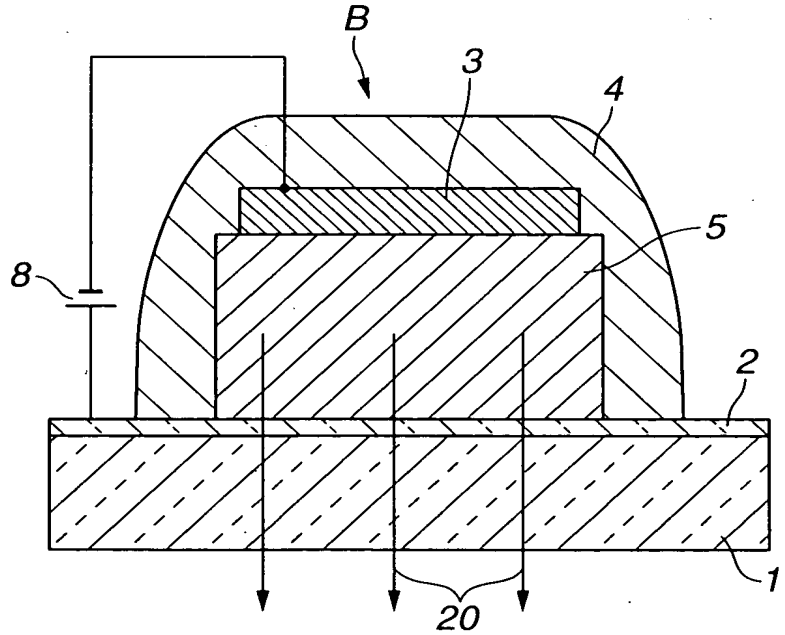


FIG.2

2025 RELEASE UNDER E.O. 14176

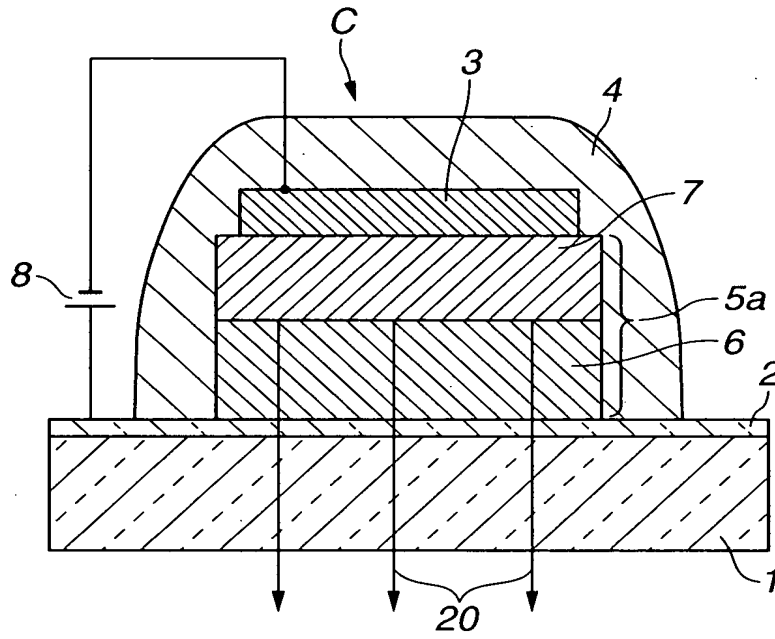


FIG. 3

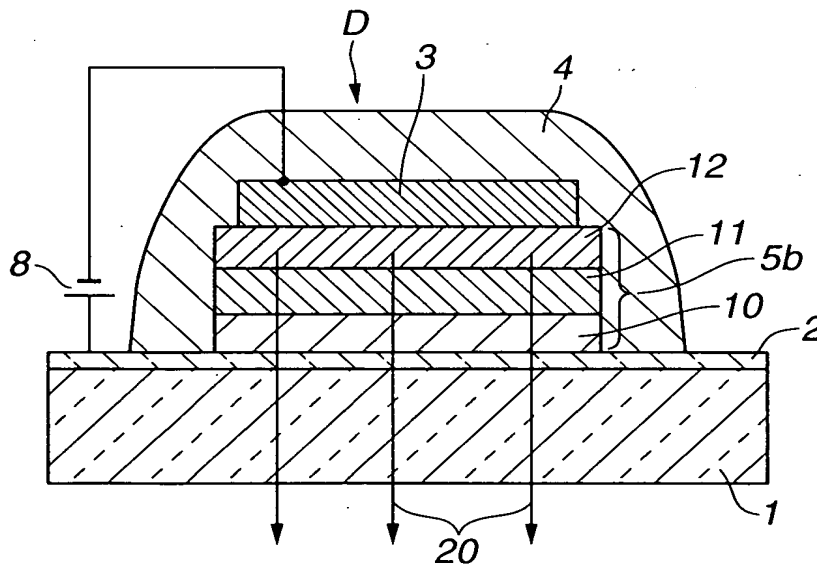
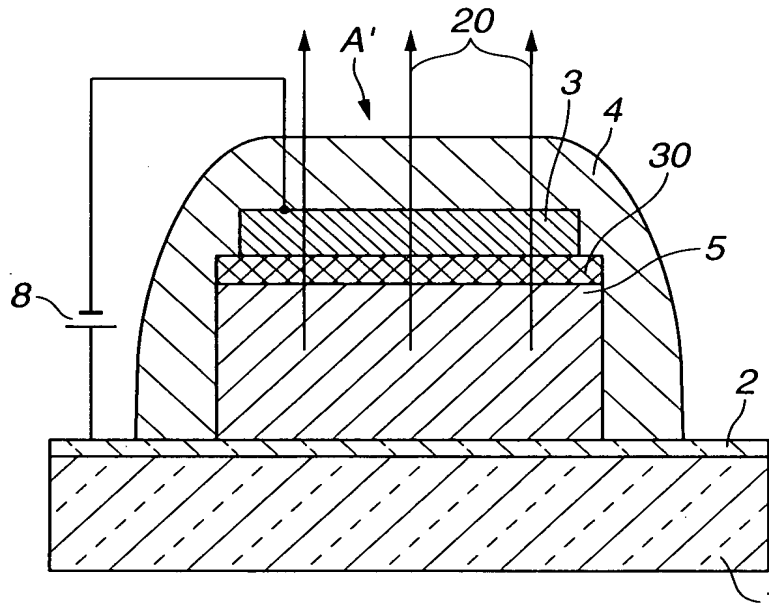
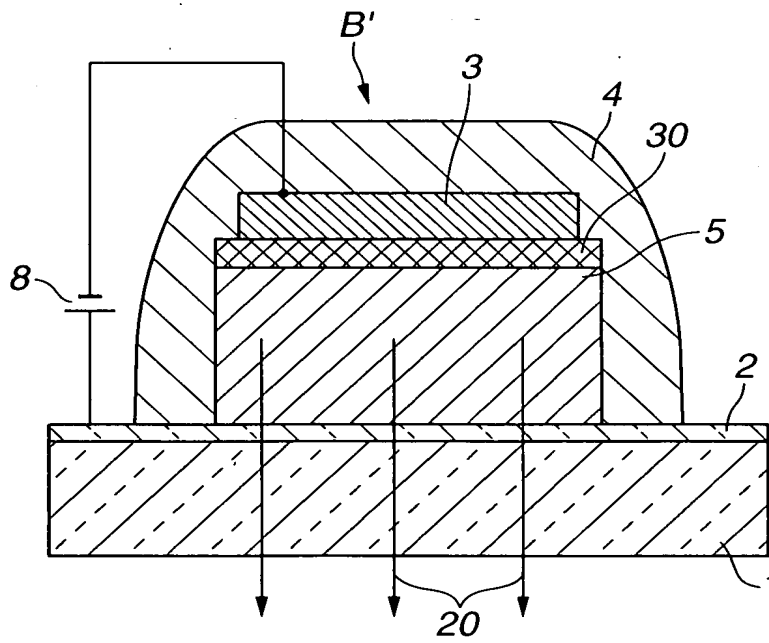


FIG. 4

2025 RELEASE UNDER E.O. 14176

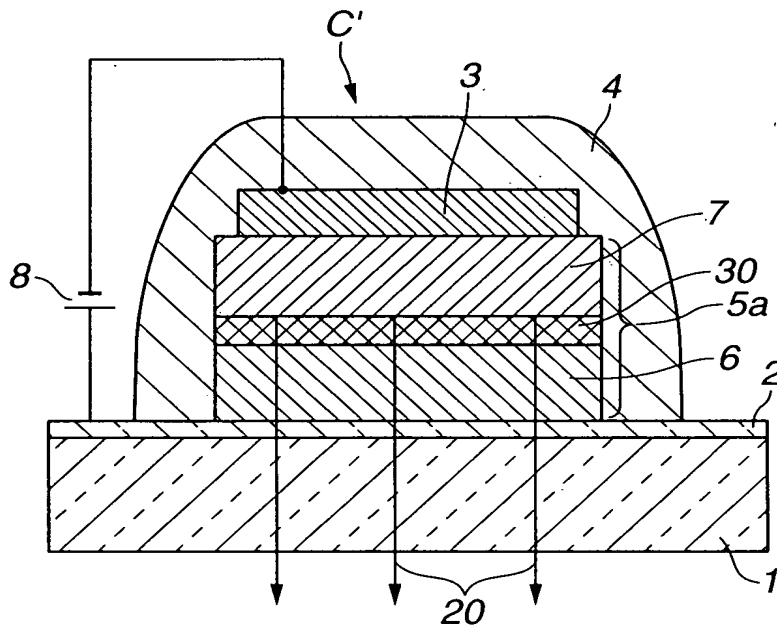


**FIG.5**

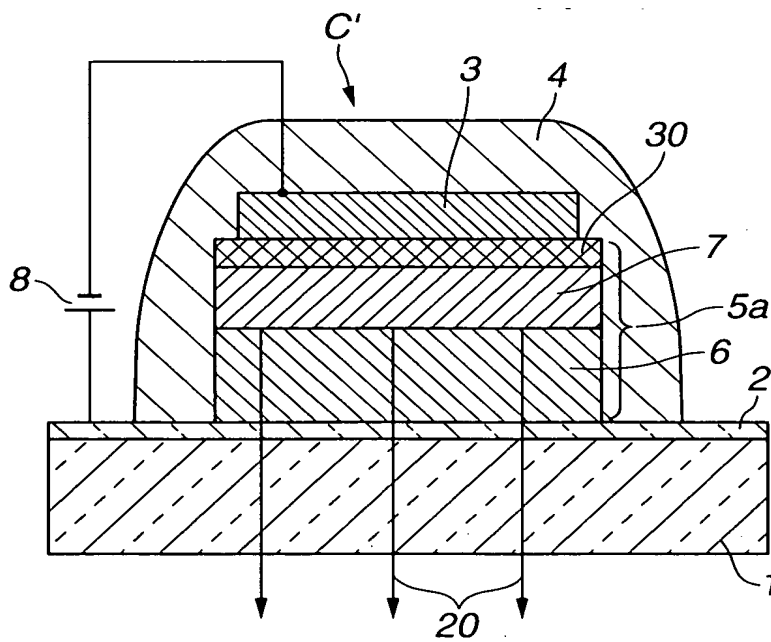


**FIG.6**

2007-04-20 10:00:00



**FIG.7**



**FIG.8**

COPYRIGHT

5/5

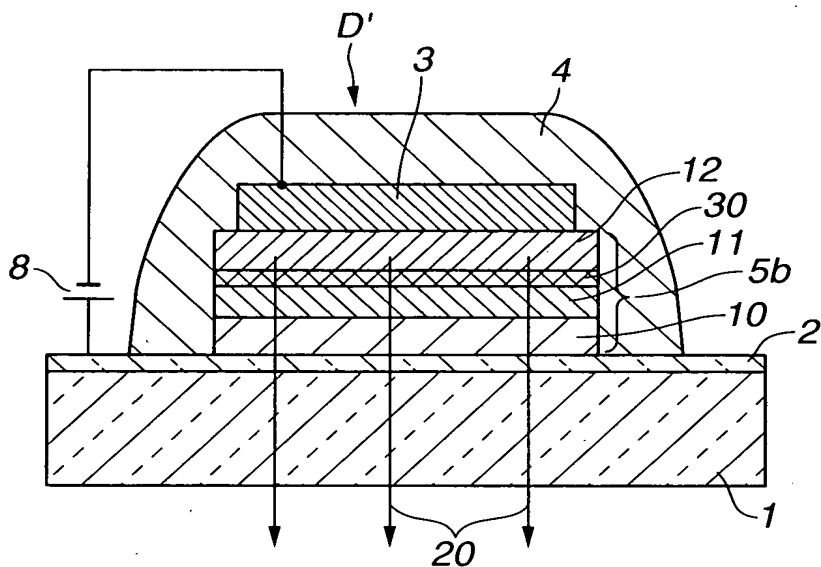


FIG.9

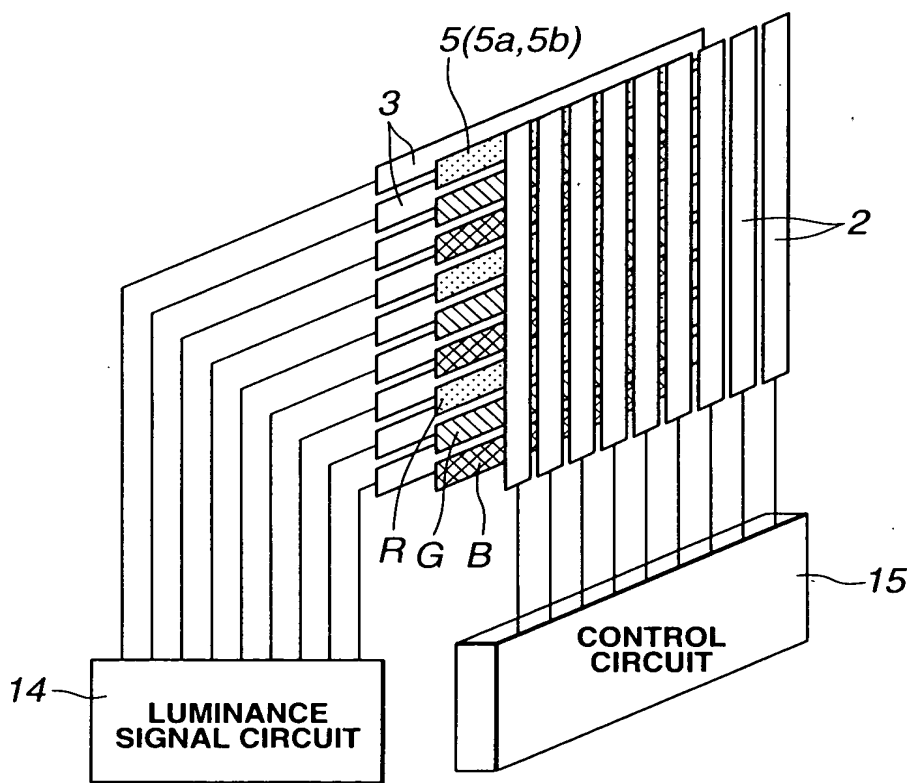


FIG.10

20030423001